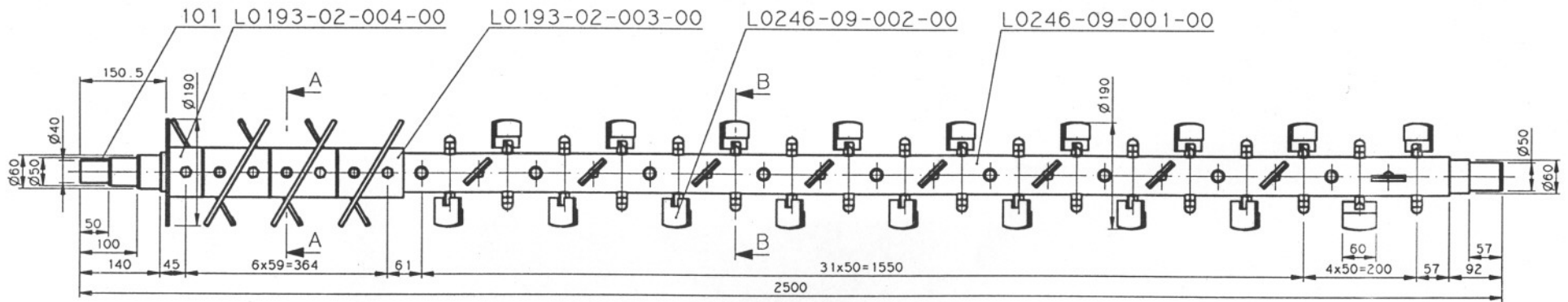
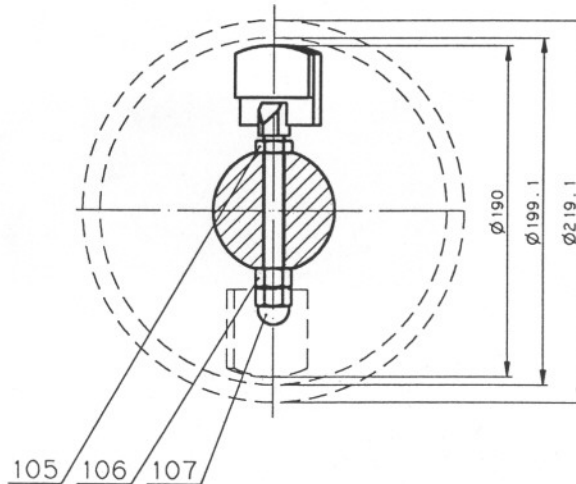
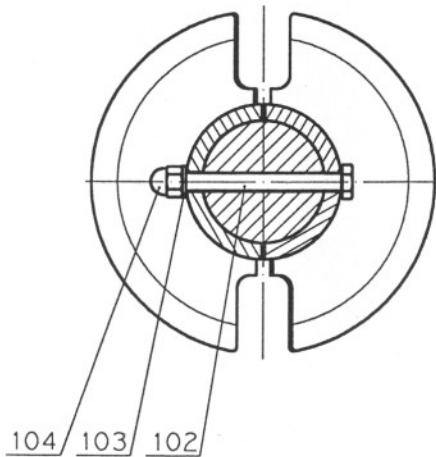


PROJECT	PROJECT NUMBER	DATE	SCALE
DESIGNER	DESIGNER'S NO.	DATE	SCALE
CHECKER	CHECKER'S NO.	DATE	SCALE
APPROVER	APPROVER'S NO.	DATE	SCALE
MESALNIK KM-20-D MESALNICA KM-20-D			
LITVINI 4A.4 L0246-00-000-00 A1   2			



\* A-A \*

\* B-B \*



HRPAVOST POVRŠNE	SPOLOSNE TOLERANCE	KVALITETA ZVAROV MERLO	MASA(S)	GRADIVO	1. NAZIV
	ST. MODELA ALI ORODJA	This is a CAD drawing no manual alteration	1:5		2. NAZIV
h		PRIMEK	POOP: S		3. NAZIV
g		KONSTR. FILIPIC			
r		PREGL.			
e		COOBR.			
d			D	M	L
c			DATUM 11 11 05	STEVILKA ROBE	FORMA LIST LSTON
b			LIVING d.o.o.	L0246-09-000-00	A2 1 1
a					
IS SPREMEME	D	M	L	PRIMEK	

